



# Household Fluorescent Light Recycling

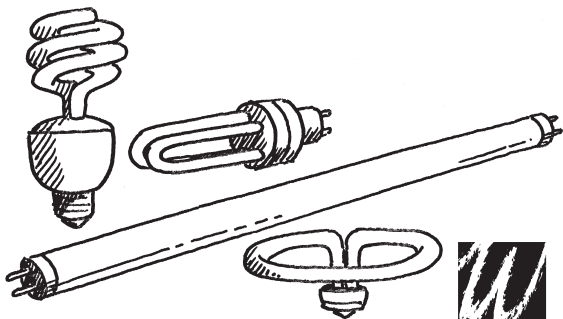
**Did you know? It is illegal in the State of Minnesota to dispose of fluorescent lights in the garbage.**

## **Fluorescent Tubes and Compact Fluorescent Lamps (CFLs)**

**are a good idea for your home  
because they help conserve electricity.**

However, all fluorescent lights contain a small amount of **MERCURY**. This potential pollutant is necessary for the lights to work and is safely contained inside during use.

1. When fluorescent lights burn out, they cannot be thrown away. They must be recycled.
2. Transport spent lights carefully. If they break, ventilate the area, then sweep (don't vacuum) pieces into a sealed bag. Bring the pieces to the WLSSD Household Hazardous Waste Facility.



The Western Lake Superior Sanitary District (WLSSD) recycles **fluorescent tubes and CFLs** free from households.

### **Household Hazardous Waste Facility**

27th Ave West and the Waterfront  
Duluth, MN

### **Year-Round Hours**

Thursday thru Saturday	9 am to 4 pm
Sunday thru Wednesday	CLOSED

**CFL** recycling is available at these other locations, fees may apply:

- Batteries Plus
- Central Sales
- Como Lube & Supplies
- Denny's Ace Hardware
- Home Depot
- Marshall Hardware
- Menard's - Hermantown
- Menard's - Spirit Valley
- Proctor Builders Supply
- WLSSD Materials Recovery Center



#### **Carlton County:**

- Carlton County HHW
- Cloquet Home Center
- Erickson's Trustworthy

#### **Superior, Wisconsin:**

- Campbell Lumber and Supply
- Balcum Appliance
- Superior Wastewater Treatment Plant



**WLSSD Hotline**  
**(218) 722-0761**  
**wlssd.com**

Businesses contact WLSSD's Clean Shop Program  
(218) 726-1602 or [clean.shop@wlssd.com](mailto:clean.shop@wlssd.com)